

APPLICATION:

PRODUCT NAME:

WIDESPREAD DECK FAUCET

JOB NAME:

\_\_\_\_\_ SPECIAL CONFIGURATION  
CHECK BASE MODEL AND OPTIONS

QUANTITY:

ITEM NO.

MODEL:

- 1686 W/ 6" SWING SPOUT
- 1694 W/ 8" SWING SPOUT
- 1708 W/ 10" SWING SPOUT
- 1716 W/ 12" SWING SPOUT
- 1724 W/ 14" SWING SPOUT
- 1759 W/ 16" SWING SPOUT

OPTIONS OR MODIFICATIONS:

- SUPPLY LINES (24" OR 36") CIRCLE LENGTH
- DJ SUB-ASSY (7-1/4" OR 13") CIRCLE LENGTH
- HANDLES (CROSS OR WRIST) CIRCLE STYLE
- VANDAL RESISTANT KIT
- OTHER \_\_\_\_\_

FEATURES:

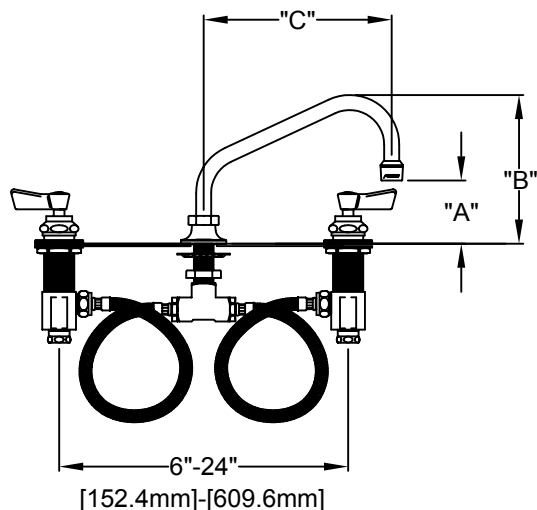
- \* WIDESPREAD DECK ADJUSTS FROM 6" TO 24"
- \* SWIVELLING SEAT DISKS
- \* HOT SIDE STEM - RIGHT HAND
- \* COLD SIDE SEAT - LEFT HAND
- \* STAINLESS STEEL SEATS
- \* STAINLESS STEEL SEAT SCREWS
- \* STAINLESS STEEL HANDLE SCREWS

SYSTEM LIMITS

- \* TEMP: 40°F MIN. TO 140°F MAX.
- \* PRESSURE 200 PSI MAX. STATIC
- \* 2.20 GPM AT 80 PSI

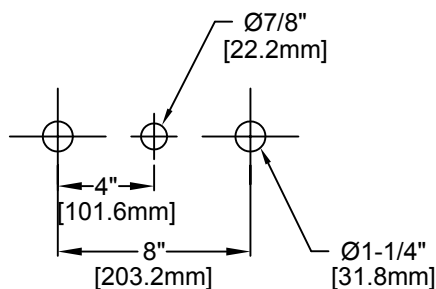
SHIPPING WEIGHT

- \* 5.0 LBS



MODEL	DIM "A"	DIM "B"	DIM "C"
1686	1-3/4" [44.5mm]	5-3/8" [136.5mm]	6" [152.4mm]
1694	2" [50.8mm]	5-7/8" [149.2mm]	8" [203.2mm]
1708	2-5/8" [66.7mm]	6-3/8" [161.9mm]	10" [254.0mm]
1716	3-1/4" [82.6mm]	6-7/8" [174.6mm]	12" [304.8mm]
1724	3-7/8" [98.4mm]	7-3/4" [196.9mm]	14" [355.6mm]
1759	4-5/8" [117.5mm]	8-3/8" [212.7mm]	16" [406.4mm]

ROUGH-IN:



ANSI/A112.18.1M

**FISHER**

FISHER MANUFACTURING COMPANY

TOLL FREE: 800-421-6162 - FAX: 800-832-8238  
information@fisher-mfg.com - www.fisher-mfg.com

EPA Act 2005 Compliant



ANSI/A112.18.1M